

3-SKR.504

7-BOLT.6.32
8-WASH.1-6-10
9-LOCK NUT.6

RIGHT 990 mm

2-SKR.28.2

1-SKR.28.1

11-RIVET ST.4-10

LEFT 970 mm

6-SKR.00.0.28
8-WASH.1-6-10
12-COTTER PIN.2-20

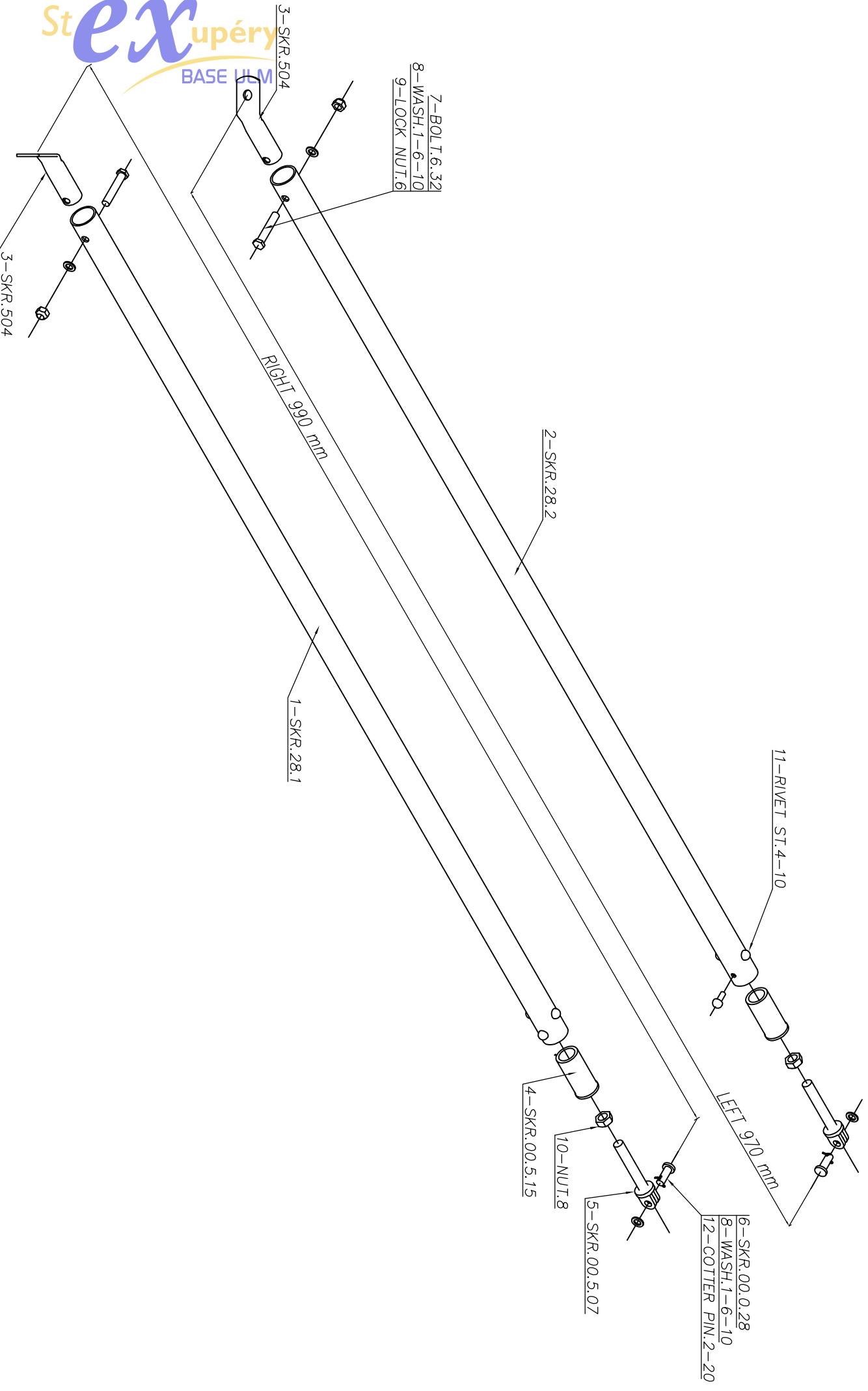
4-SKR.00.5.15

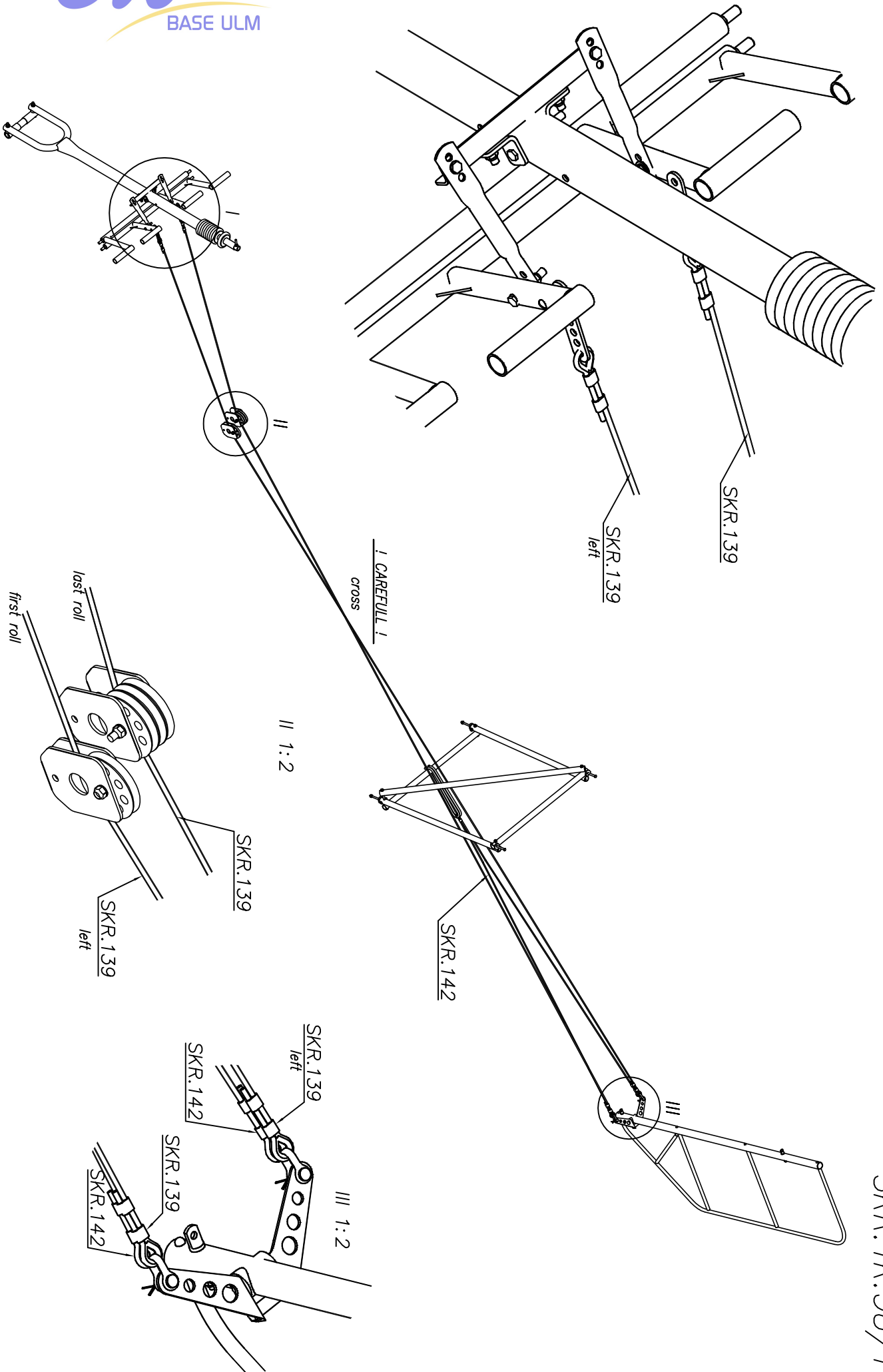
10-NUT.8

5-SKR.00.5.07

3-SKR.504

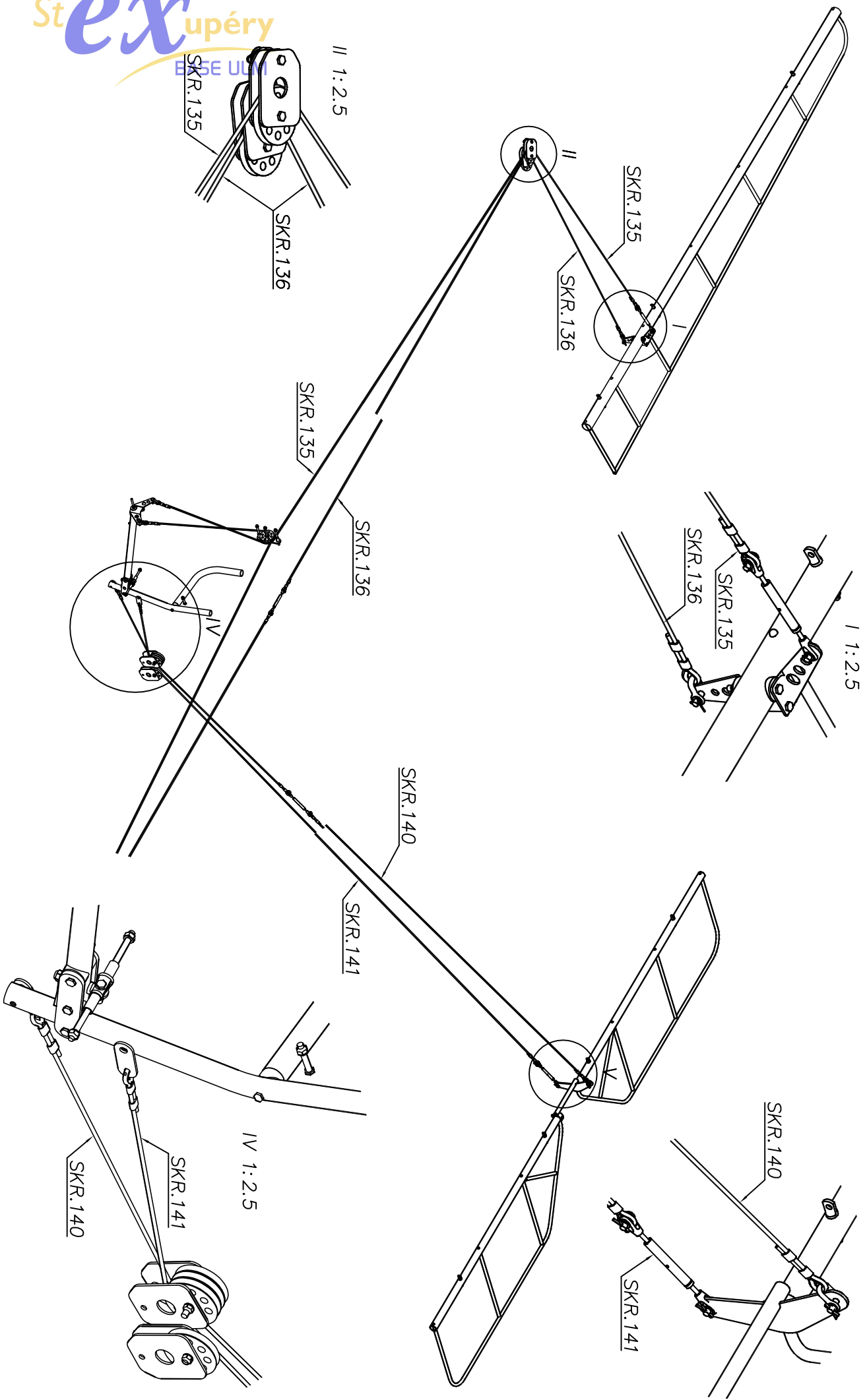
SKR. TK. 26





I 1:2

SKR. TK. 38/1

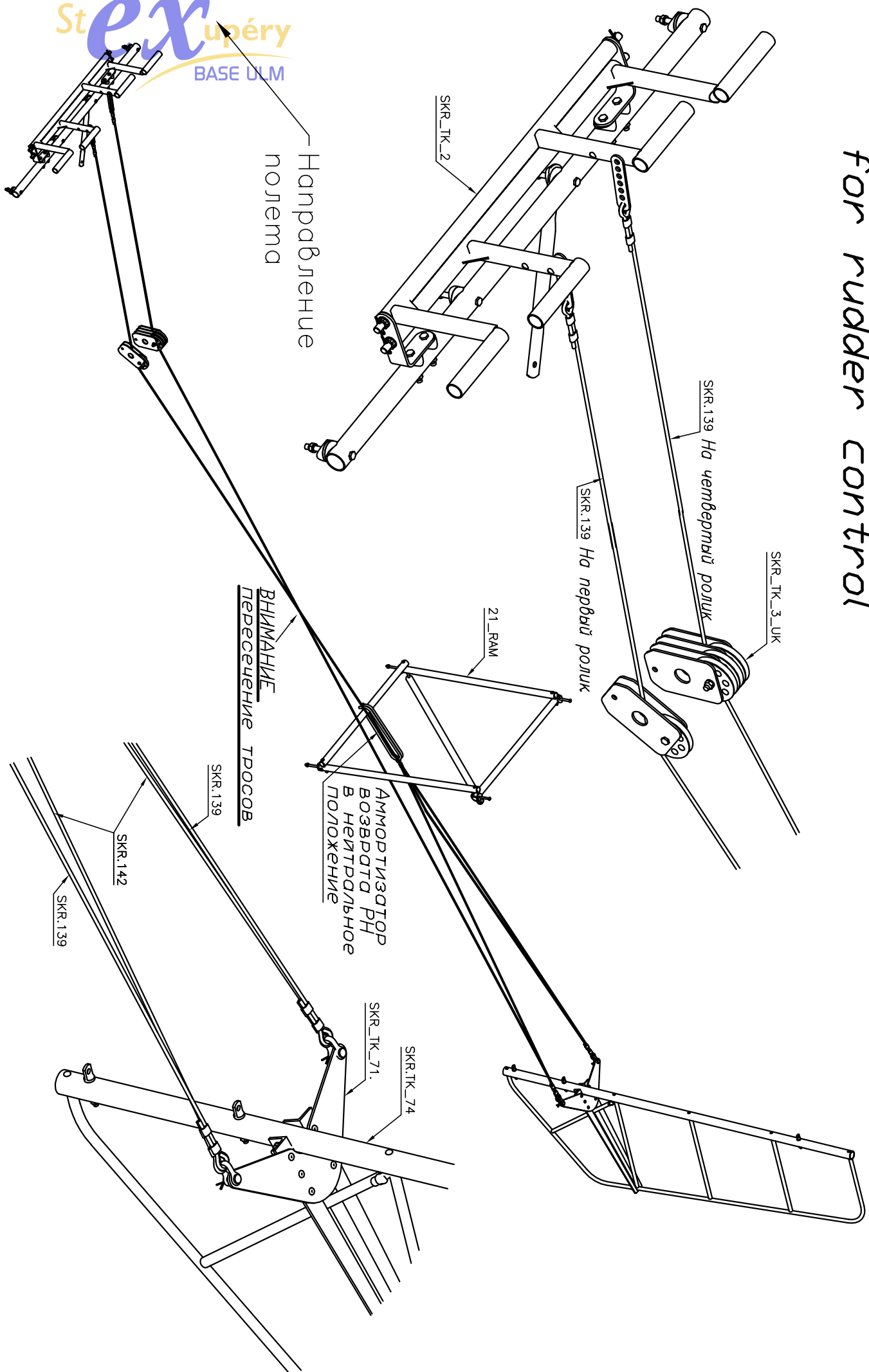


SKR. TK. 38/2

V 1:2.5

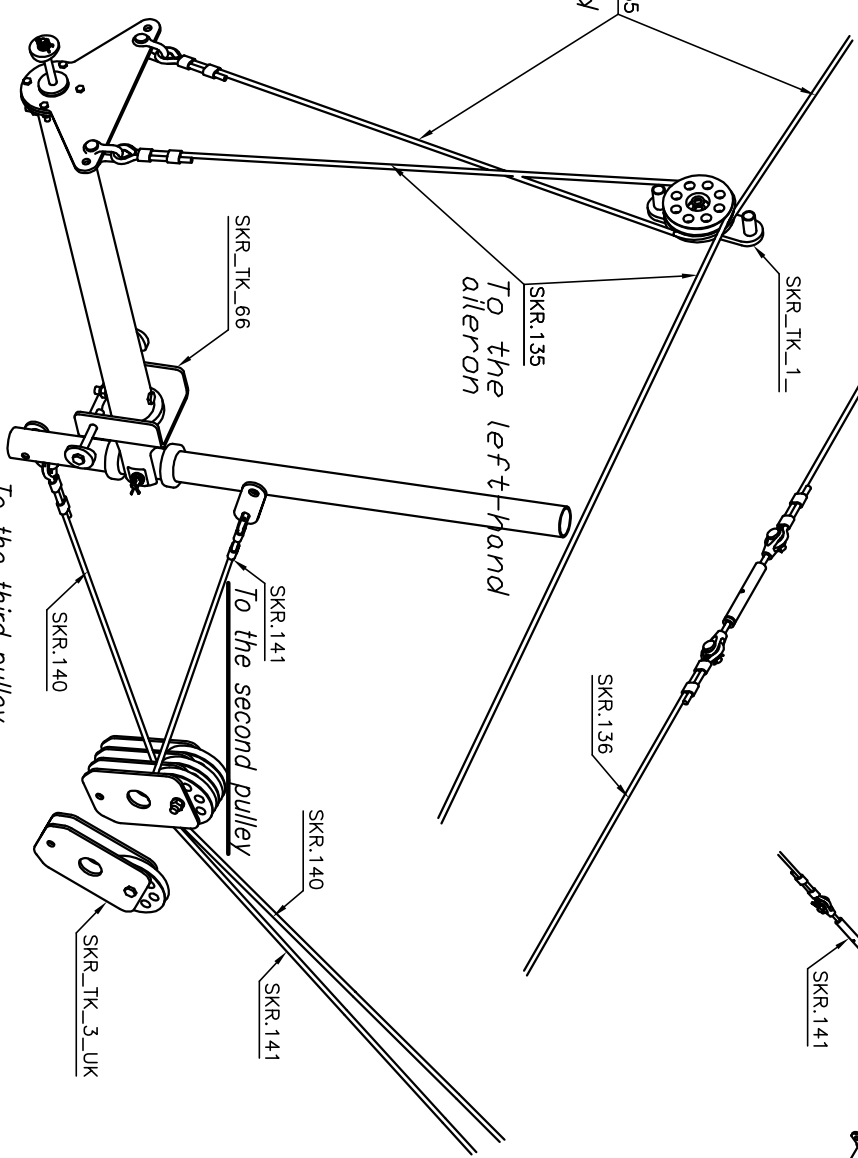
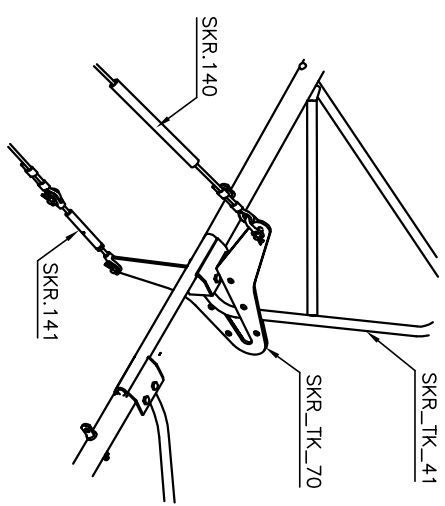
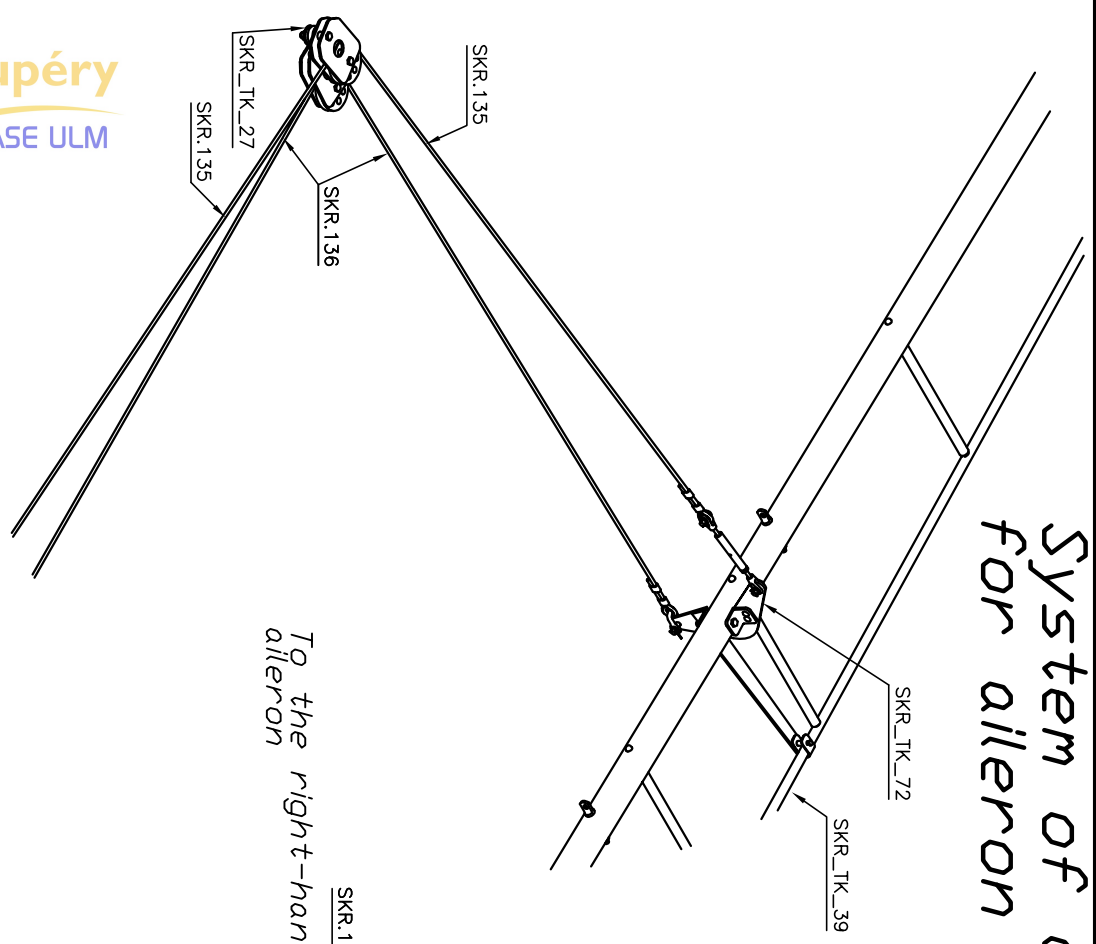
System of cables for rudder control

SKR. TK. 38UK/1



System of cables for aileron and elevator control

SKR.TK.38UK/2

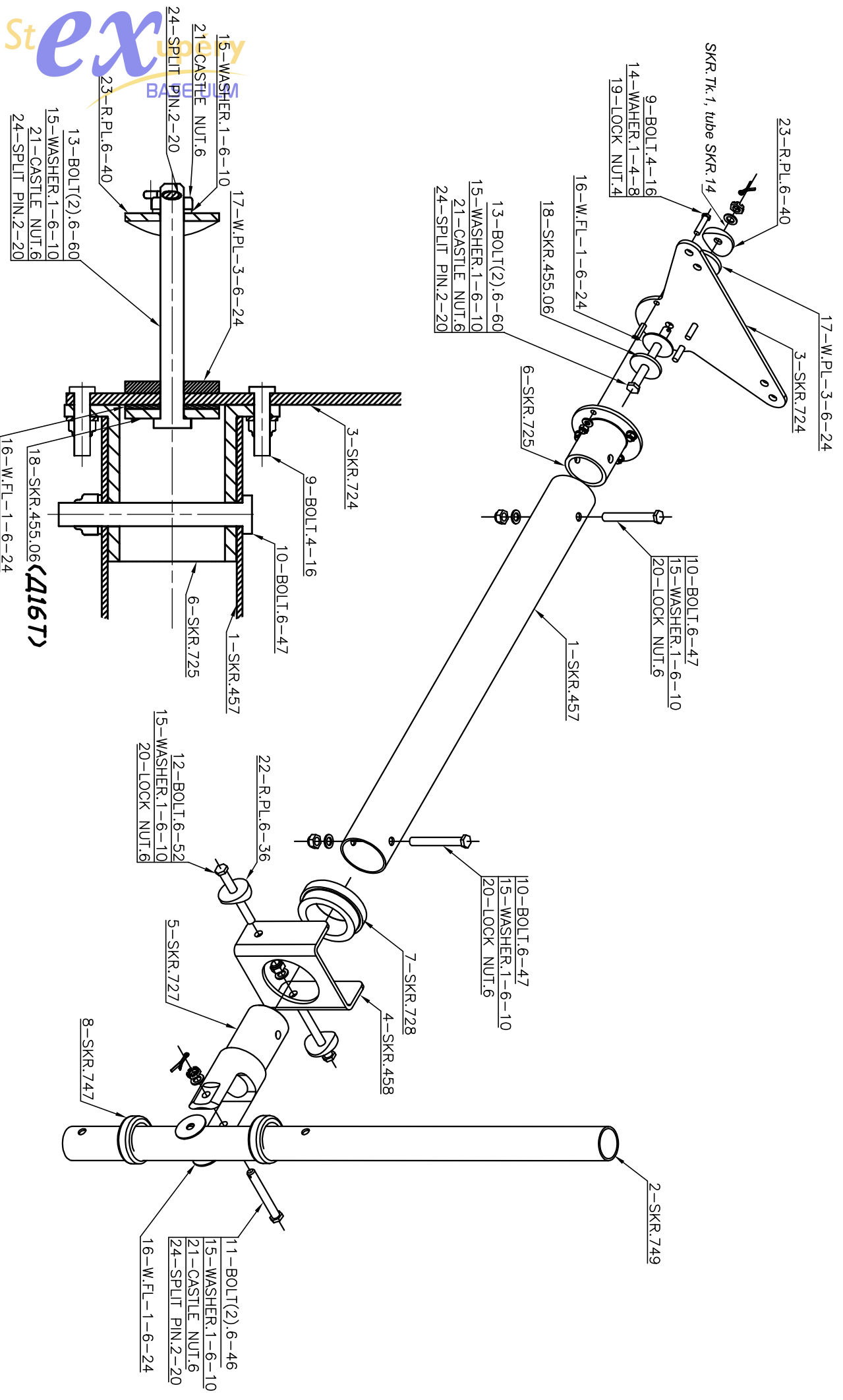


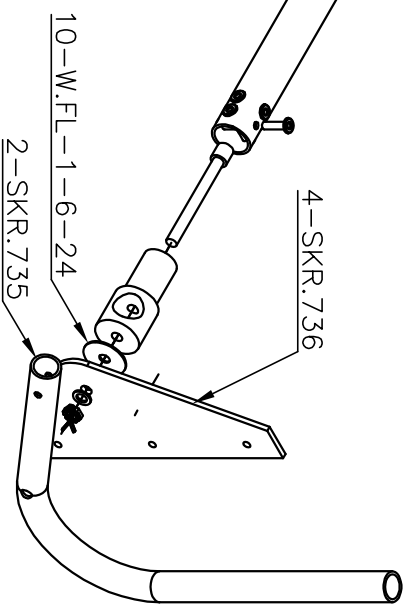
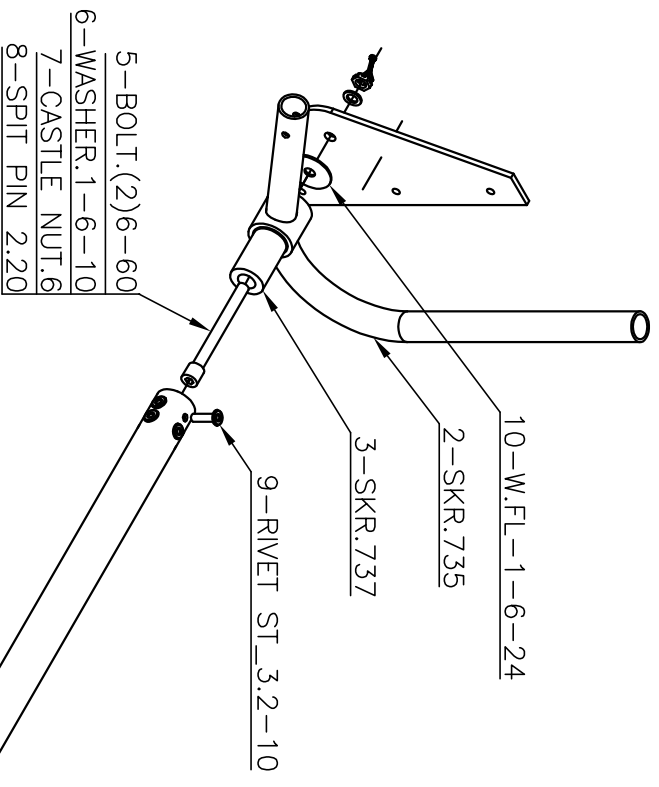
Direction of flight

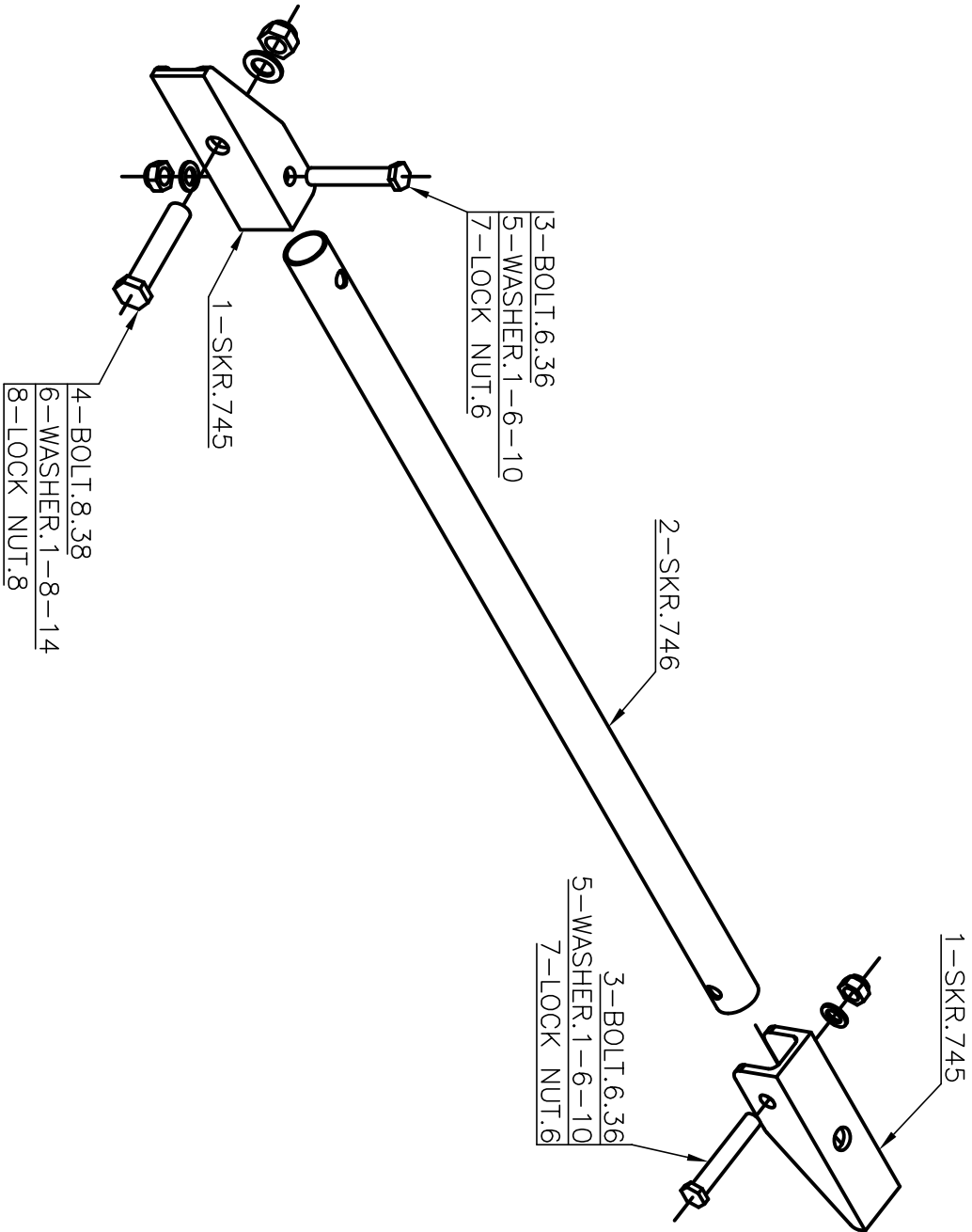
To the right-hand aileron

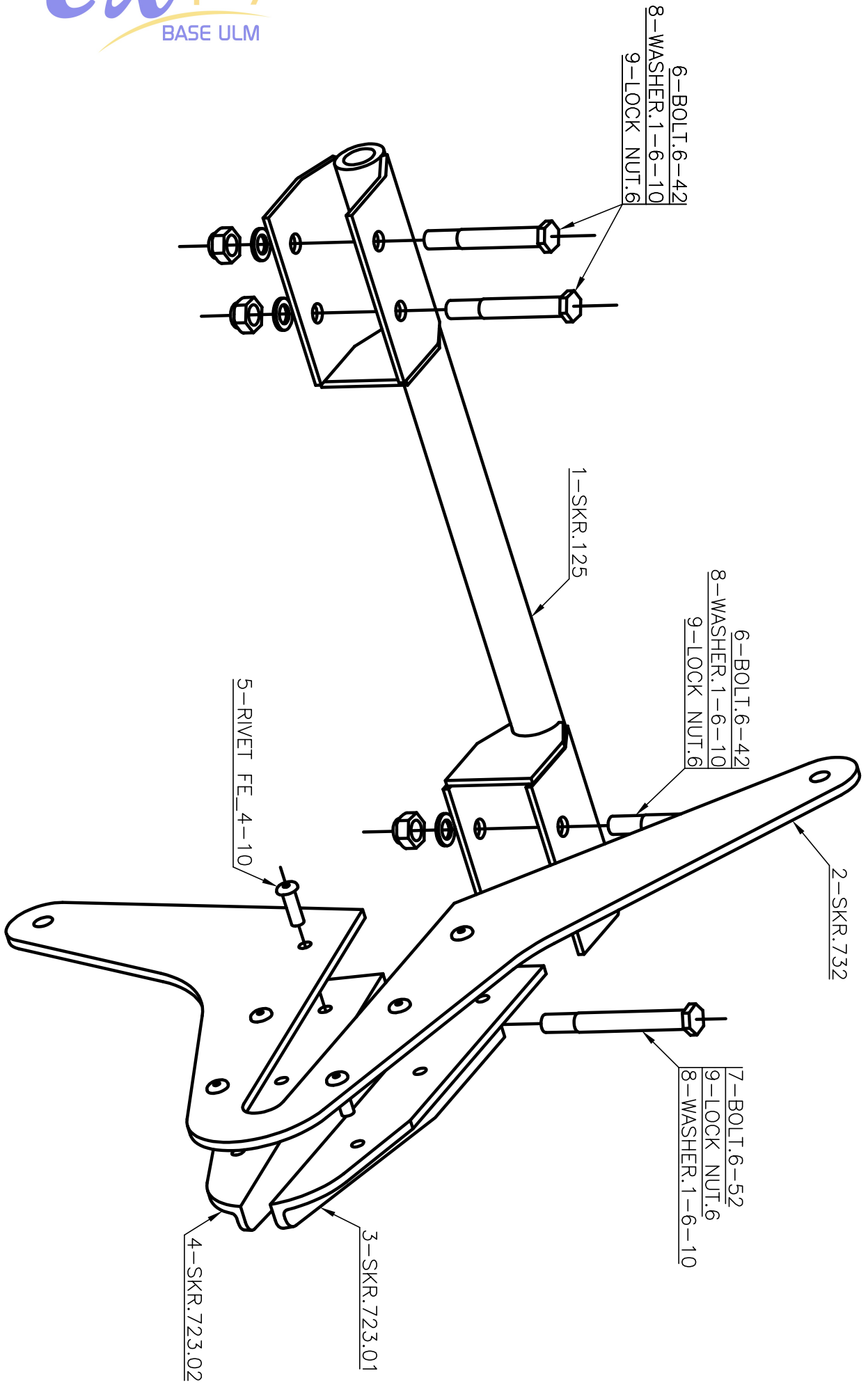
To the left-hand aileron

To the third pulley
To the UPPER horn of the rudder rocker

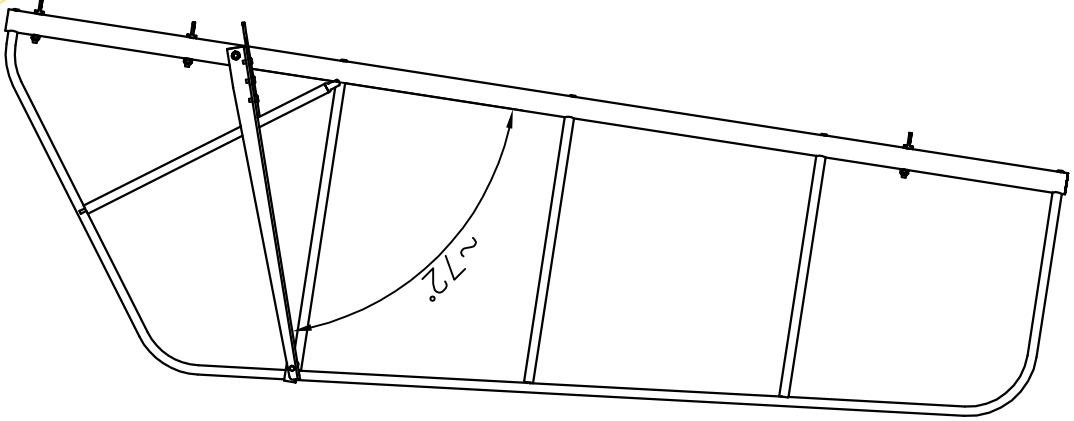




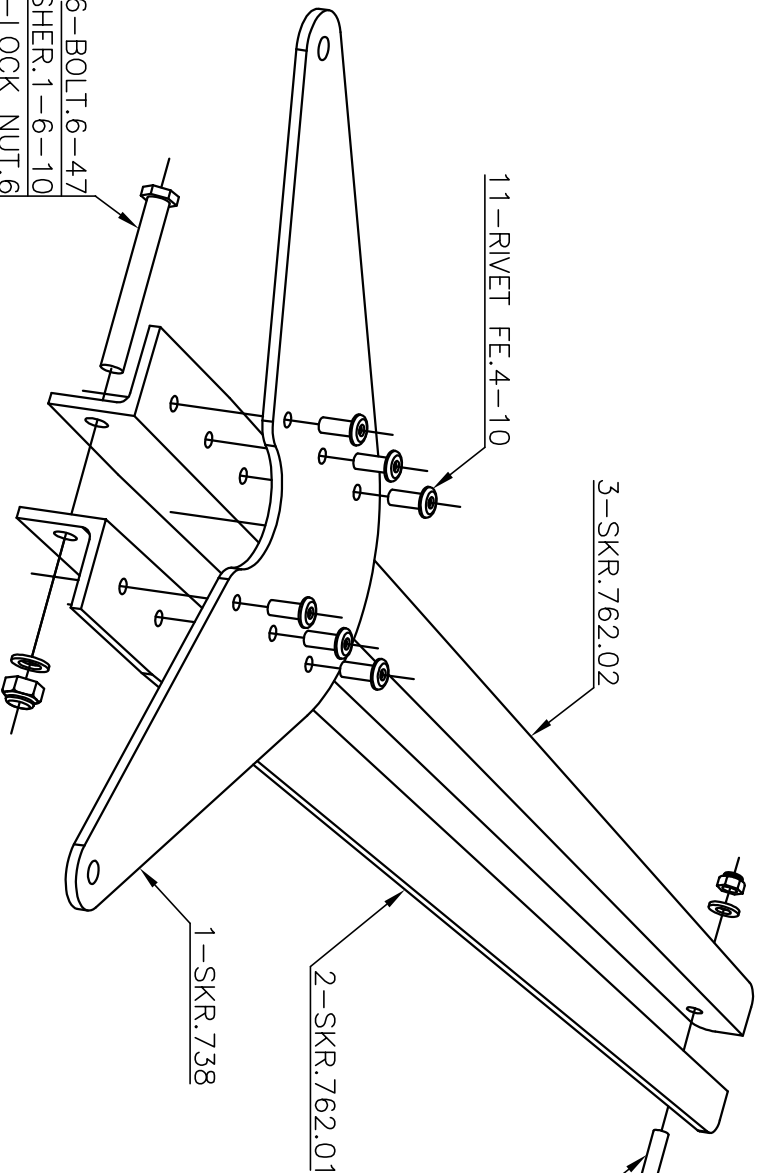




SKR.TK.70



- 6-BOLT.6-47
- 8-WASHER.1-6-10
- 10-LOCK NUT.6



11-RIVET FE.4-10

3-SKR.762.02

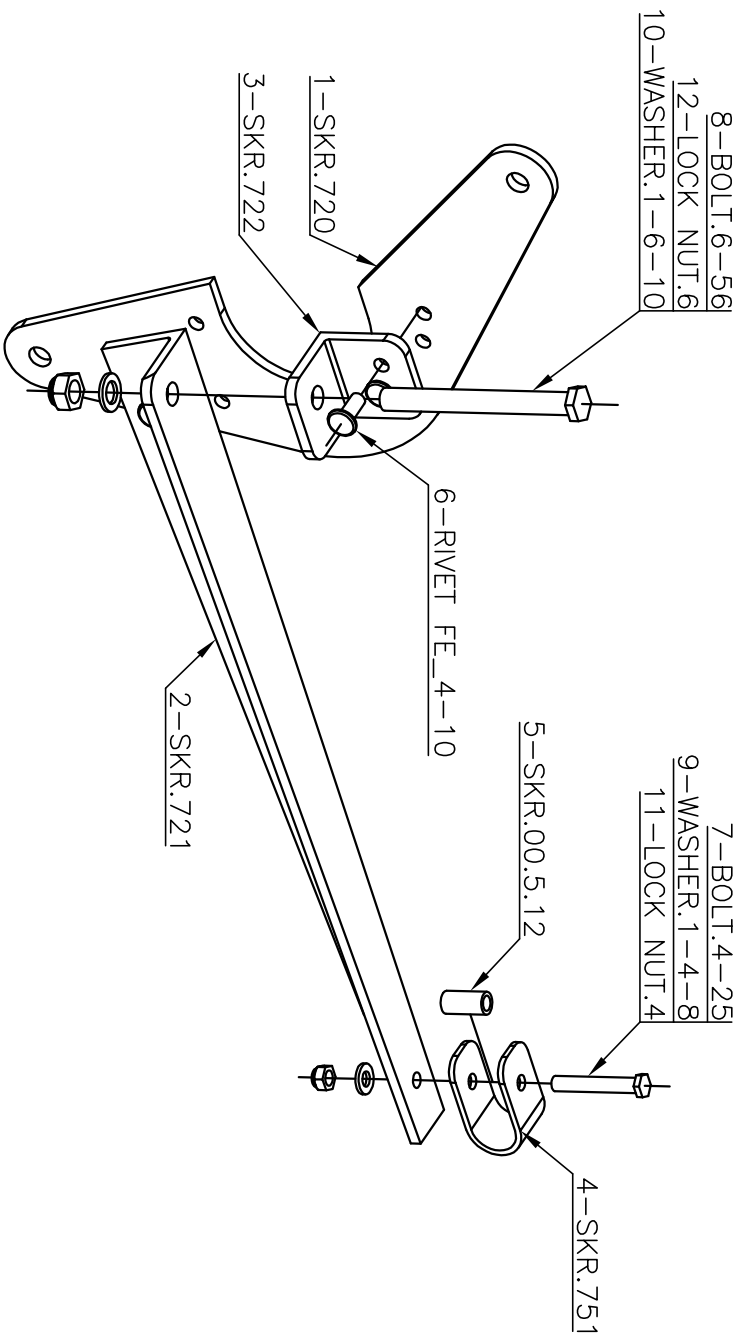
1-SKR.738

2-SKR.762.01

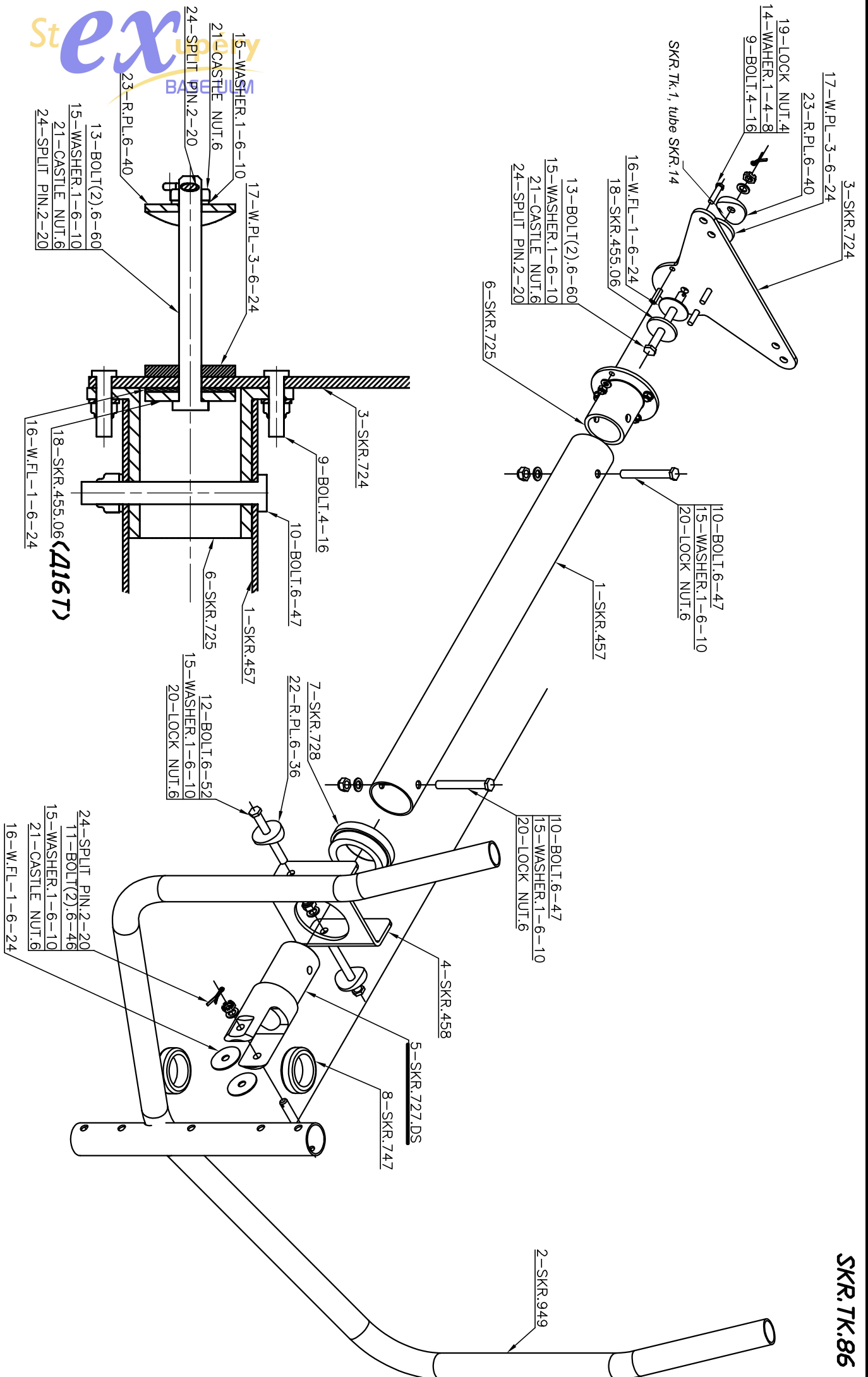
5-BOLT.4-25
7-WASHER.1-4-6
9-LOCK NUT.4

4-SKR.751

13-SKR.00.5.12 L=12mm



SKR.TK.72



SKR.TK.86